

LAVATORY SERVICING UNIT



AS 1900S - AS 3000S - AS 4000S

These models of Lavatory Service Units are all designed to ensure an efficient hygienic service to all the types of aircraft, according to high security standards, reliability and hygienic conditions. These models are characterized by the presence of a PLC control which manages all the machine functions and the security as well.

WASTE WATER CIRCUIT

- Tank made in AISI 304 stainless steel, 3 mm thickness, manhole Ø 500 mm.
- Vacuum Pump with hydraulic control, - 0.60 bar flow 666 l/min (optional)
- Drain valve Ø 4" hydraulic driven
- Flexible spiral hose equipped with aircraft standard connector
- Telescopic extension, rigid connection between the tank and the hose
- Automatic dumping and washing system

WATER CIRCUIT

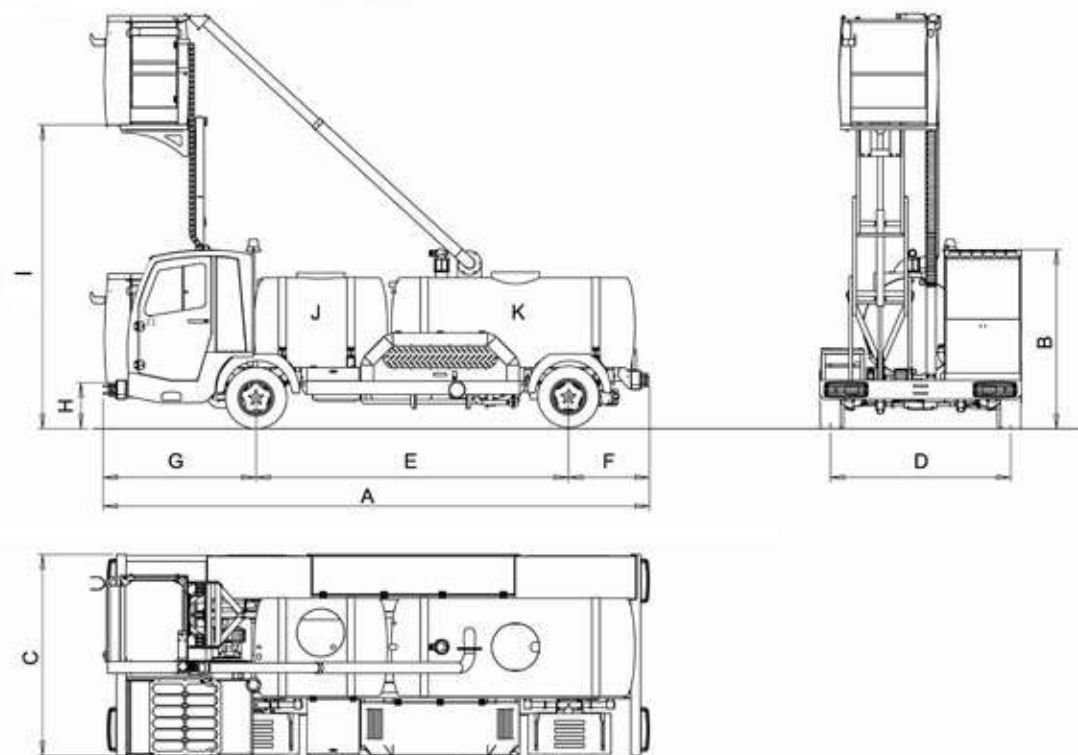
- Tank made in AISI 304 stainless steel, 2 mm thickness, manhole Ø 500 mm.
- Centrifugal transfer pump, flow rate 90 l/min
- Electrical control circuit for washing with shut-off valve
- Liters counter with predetermination and calculation of quantity in the tank
- Flexible hose for low pressure with a aircraft standard connection
- Sphere valve 1" 1/2 for the total dump of the tank

ENGINE

- 404D-22 PERKINS water cooled engine. power 37,3 kW/50 bhp @2800 rpm 4 cylinder 2.2 litre unit, emissions legislation for EC Stage IIIB/USA EPA Tier 4
- D 2011 L3 i – DEUTZ air/oil cooled engine. power 36,3 kW/49 bhp @2800 rpm 3 cylinder 2.33 litre unit, emissions legislation for EC Stage IIIA/USA EPA Tier 3
- 4LE1 ISUZU water cooled engine. power 36 kW/48 bhp @2600 rpm 4 cylinder 2.2 litre unit, emissions legislation for EC Stage IIIA Interim Tier 4

WINTER KITS (Optional)

- Warm-up winter kit 220V -40° (engine heater, battery charger, cabin heater, cabinet heater)
- Completely closed cabinet made on 40mm insulated panel over the tanks and equipment
- WEBASTO heater under the canopy



	A	B	C	D	E	F	G	H	I*
AS 1900S	5100	1850	2100	1800	2700	830	1570	650	1800
AS 3000S	5750	1900	2100	1610	3260	830	1570	650	1800
AS 4000S	5750	1900	2100	1610	3260	830	1570	650	1800

*optional 3000 mm

	J (Water Tank)	K (Waste Tank)	Min. Weight	Max. Weight
AS 1900S	650 Lt	1250 Lt	2500 Kg	2700 Kg
AS 3000S	1000 Lt	2000 Lt	2900 Kg	3400 Kg
AS 4000S	1240 Lt	2600 Lt	3000 Kg	3500 Kg