

TOWED LAVATORY SERVICING UNIT



AS 1900T E/D

The AS 1900T is designed to ensure an efficient toilet discharge of all the aircrafts. All the models are characterized by the presence of an PLC control which manages all the machine functions and the security as well. This model is equipped with a rigid front axle fixed to a towbar and a hook, with 240° total steering angle. This front axle is equipped with a brake pad, which raise automatically the towbar in a vertical position in case of accidentally unhooking during towing: upon a request of the customer, the equipment may be equipped with approach system to facilitate the maneuvers alongside, by a liftable platform or by an extendable ladder. In the basic version, this model is powered electrically.

WASTE WATER CIRCUIT

- Tank made in AISI 304 stainless steel, 3 mm thickness, manhole Ø 500 mm.
- Vacuum Pump with hydraulic control, - 0.60 bar flow 666 l/min (optional)
- Drain valve Ø 4" hydraulic driven (D version optional, E version only with platform)
- Overflow valve double ball
- Flexible spiral hose equipped with aircraft standard connector
- Telescopic extension, rigid connection between the tank and the hose (with platform)
- Automatic dumping and washing system (optional)

WATER CIRCUIT

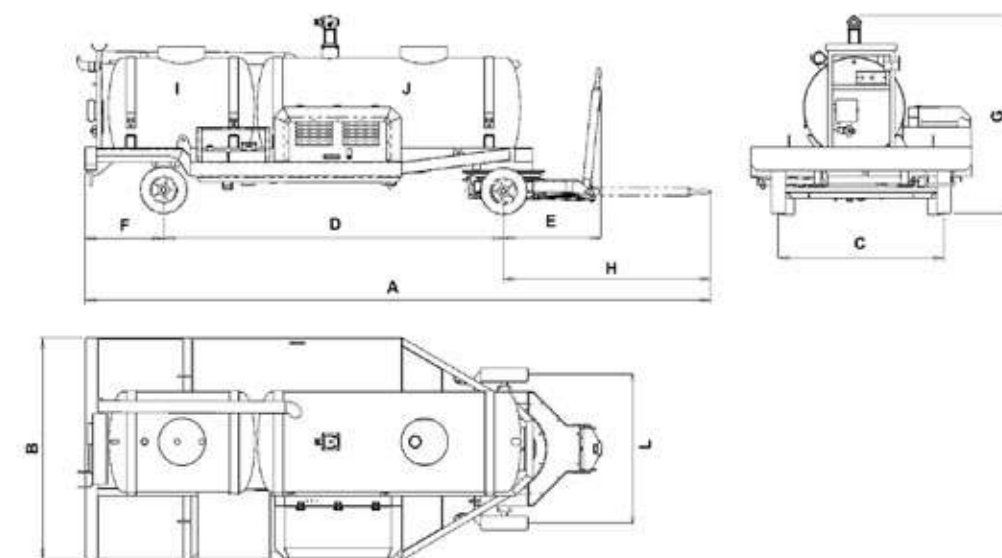
- Water tank made in AISI 304 stainless steel, 2 mm thickness, manhole Ø 500 mm.
- Centrifugal transfer pump, flow rate 90 l/min
- Electrical control circuit for washing with shut-off valve (optional)
- Liters counter
- Flexible hose for low pressure with a aircraft standard connection
- Sphere valve 1" 1/2 for the total dump of the tank
- Manual emergency pump (optional).

POWER

- 12/24 Volt (E version)
- Hatz 1B30 single-cylinder diesel engine (D version)
- Lombardini 15 LD 440 single-cylinder diesel engine (D version)

WINTER KITS (Optional)

- Warm-up winter kit 220V -40° (battery charger, engine/equipments compartment heated)
- Completely closed insulated cabinet canopy made on 40mm insulated panel over the tanks and equipment
- WEBASTO heater under the canopy



A	B	C	D	E	F	G	H	L
7785	2200	2450	3400	2790	1595	3680	5800	1300

I (Water Tank)	J (Waste Tank)	Weight
650 Lt	1250 Lt	1100 Kg