

# TOWED CONVEYOR BELT LOADER



# NT 550E/D - NT 645E/D - NT 725E/D - NT 800E/D

The various models are characterized by different length of the conveyor boom, by a modular carpet with acetyl elastomer grip, by the presence of a PLC control which manages all the machine functions and the security as well. These models are equipped with a rigid Front axle fixed to a towbar and a hook, with 240° total steering angle. This front axle is equipped with a brake pad, which raise automatically the towbar in a vertical position in case of accidentally unhooking during towing. Upon a request of the customer, the equipment may be equipped with approach system to facilitate the maneuvers alongside. In the basic version, these models are powered electrically

## FEATURES

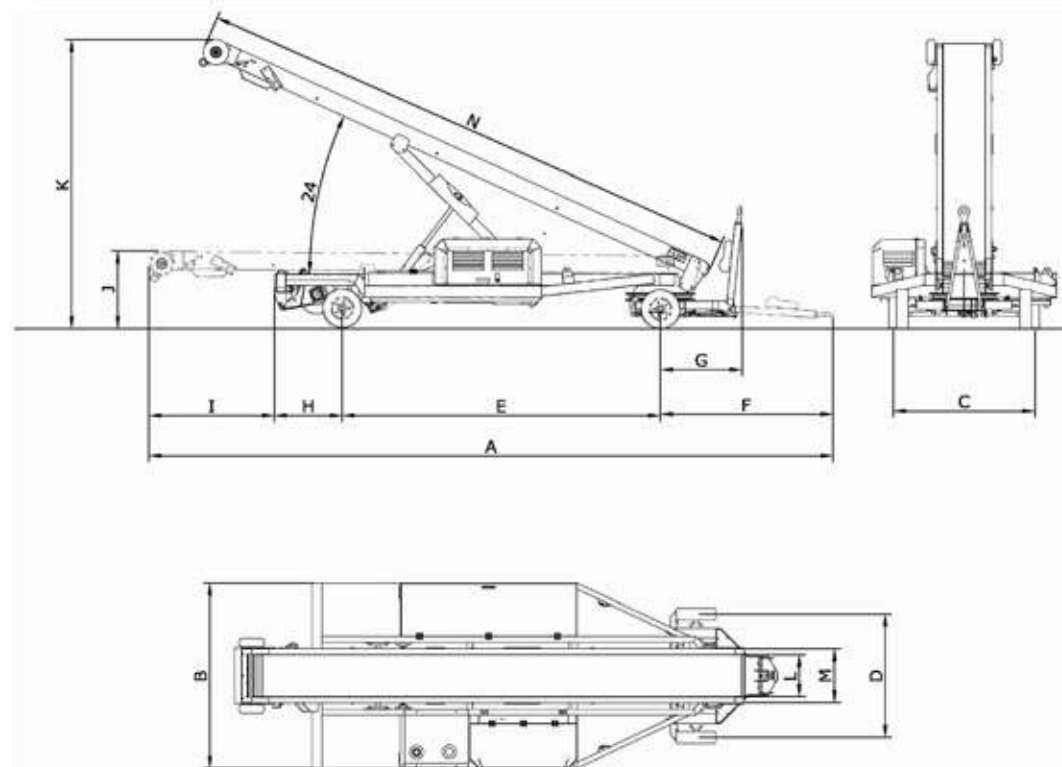
- Boom structure made in welded tubular profile.
- Fitted on the boom there are a fixed panel and an hanging panel for the movement of the belt.
- Electric motor to drive the belt with gear unit ( E version); Hydraulic motor ( D version).
- Belt speed: fixed 20 mt/min or adjustable 10 to 25 mt/min ( E version); adjustable 10 to 30 mt/min ( D version).
- Capacity 135 kg/mt.
- Single load 400 Kg based on 600x800mm.
- Handrail on the left side h= 1000mm (optional)
- Foldable handrail on right side h= 1000mm (optional)
- Aluminum left side rail h=100mm (optional)
- Aluminum foldable right side rail h=100 (optional)

## POWER

- 12/24 Volt ( E version)
- Hatz 1B30 single-cylinder diesel engine ( D version)
- Lombardini 15 LD 440 single-cylinder diesel engine ( D version)

## WINTER KIT (Optional)

- Warm-up winter kit 220V -40° (battery charger, engine/equipments compartment heated)



	A	B	C	D	E	F	G	H	I	J	K	L	M	N	Weight (Kg)
NT 550	6955	1880	1400	1255	3235	1755	830	690	1275	795	2950	600	745	5500	1300
NT 645	7810	1880	1400	1255	3745	1755	830	690	1620	795	3000	600	745	6450	1400
NT 725	8640	1880	1400	1255	4785	1755	830	690	1410	795	3600	600	745	7250	1500
NT 800	9390	1880	1400	1255	4785	1755	830	690	2160	795	3990	600	745	8000	1600